

ZOLLER

power shrink

The Modular Shrink Unit
for your Production



ZOLLER

expect great measures®

ZOLLER
expect great measures®

More Speed, Safer Processes, Greater Flexibility — »powerShrink«

How do you shrink-clamp and unclamp in record time? By using »powerShrink«. This inductive shrinking device for HSS and hard metal tools shortens setup times for your production processes. In less than 10 seconds, your tool will be heat-shrunk, cooled off in another 40 seconds, and then ready for production. Benefit from the high degree of rotation accuracy, long service life and reduced tool expenses.



Speed

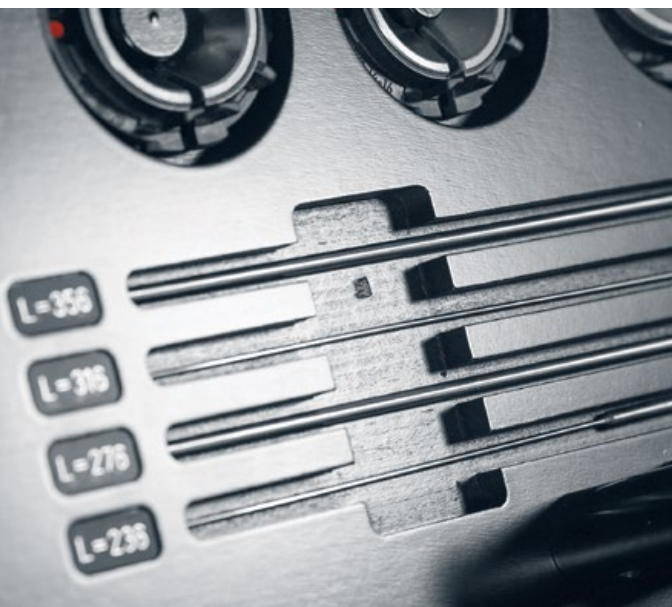
- _ Shrink-clamping/Unclamping time: approx. 6 – 10 seconds (dependent on tool diameter)
- _ Cooling time: approx. 40 seconds (dependent on tool diameter)
- _ Time saving heating process

Safety

- _ High rotation accuracy, long service life
- _ Reliable process transfer of shrinking parameters from the presetter to the »powerShrink«

Flexibility

- All HM/HSS tools can be heat-shrunk
- _ Also suitable for tools with long shafts since the entire heating area is heated
- _ Modular design for individual adjustments, as needed



»powerShrink Economic« – the Entry-level Device

- _ For all HM and HSS tools with a diameter of 3 – 32 mm
- _ With standard coils V2008 and interchangeable stop discs
- _ Single-location version
- _ Also available with an adjustable coil



»powerShrink Economic Plus« – with Cooling

- _ For all HM and HSS tools with a diameter of 3 – 32 mm
- _ With standard coils V2008 and interchangeable stop discs
- _ Integrated contact cooling
- _ Single-location version
- _ Also available with an adjustable coil



»powerShrink Comfort« – with Cooling and Rotary Table

- _ For all HM and HSS tools with a diameter of 3 – 32 mm
- _ With standard coils V2008 and interchangeable stop discs
- _ Integrated contact cooling
- _ Rotary table with 3 stations
- _ Also available with an adjustable coil



»powerShrink Profi Plus« – the Professional Device with Cooling, Rotary Table and Integrated Coils

- _ For all HM and HSS tools with a diameter of 3 – 50 mm
- _ Adjustable coils 13kVA \varnothing 3 – 32 mm
- _ Rotary tables with 3 stations
- _ Integrated contact cooling
- _ With two rotary tables for diameters of 40 – 50 mm and an output of 20 kVAm



»powerShrink Nano« –
Specially Designed for Small Tools

- _ Featuring a horizontal design for easy use with small tools
- _ Ideal for shrink fit chuck with thin dimensions with a diameter of 3-16 mm, hard metal and HSS
- _ Specially designed for the small interfaces HSK 25 – HSK 63 and SK/BT 30/40
- _ Modular set-up and design for maximum flexibility



	13kVA Inductor with D3 – 16 mm Limit Discs	13kVA Inductor with D3 – 32 mm Limit Discs	13kVA Adjustable D3 – 32 mm Inductor	20kVA Inductor with D40 – 50 mm Limit Disc	Rotary Plate	Water Cooler, Cooling Bell Quantity	Air Cooler	Flue Gas Suction Device	System Trolley or Table
»powerShrink Nano« 13kVA	•						Option		
»powerShrink Economic« 13kVA		•					Option	•	Option
»powerShrink Economic« 13kVA / NG		•				• 5		•	Option
»powerShrink Economic Plus« 13kVA			•				Option	•	Option
»powerShrink Economic Plus« 13kVA / NG			•			• 5		•	Option
»powerShrink Comfort« 13kVA		•			•	• 5		•	Option
»powerShrink Comfort« 13kVA / NG			•		•	• 5		•	Option
»powerShrink Profi Plus« 20kVA / NG				D3 – 32 and D40 – 50 or D40 – 50	•	• 6			Option

Coils

Standard Coils V2008

Proven quality with interchangeable stop discs for heating all shrink fit chucks with a diameter of 3 to 32 mm. Five stop discs suffice for adjusting the coils to the respective feed dimension.



New Generation Coils

Flexible and practical. With just a single rotation, the length and diameter of the coil can be set to the dimensions of the shrink fit chuck.



Flue Gas Suction Device

Directly channels toxic gases into a filtration unit during shrinking process. This ensures safety for the operator without any additional effort.



Options



System Trolleys for a Well-organized Workplace

- _ Trolleys for heat shrinking machines and accessories
- _ Ergonomic working height
- _ Optional: Drawer insert for storing accessories



Air Cooler for Safe and Clean Cooling

- _ Add-on device for all heat shrinking machines
- _ Cooling through air and spray mist
- _ Simple alternatives for cooling regardless of shape
- _ 2-phase cooling: cooling time of around 1 minute (phase 1)



Shrink-clamping Device

- _ Unclamping assistance for broken milling tools
- _ Set with 1 basic holder and 6 ejectors (3 diameters in 2 lengths), without pliers



TME Intelligent Cooling System with Temperature Monitoring

- _ Measure feed temperature using sensors in the cooling elements
- _ Temperature display using a red or a green light
- _ Minimizing risk of injury
- _ Patented temperature monitoring

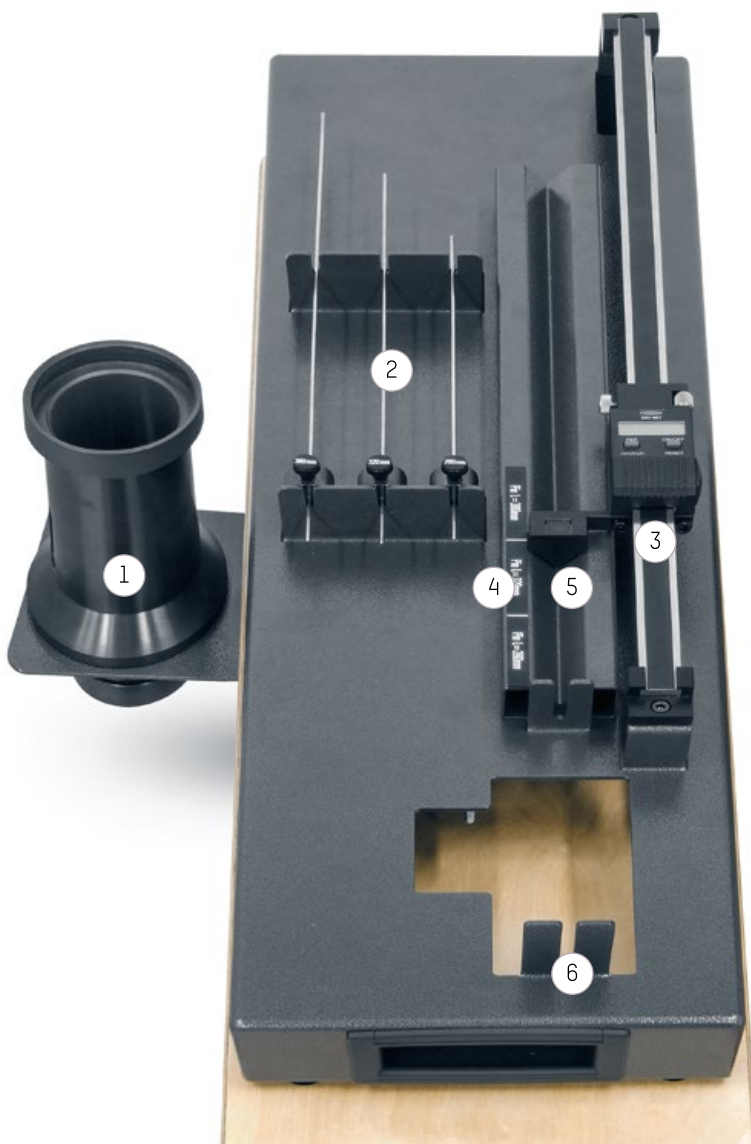


Cooling Adapter and Cooling Adapter Couplings

- _ Cooling adapter for all types of shrink fit chuck
- _ Cooling element with $\varnothing 14-16$ mm and $\varnothing 25-32$ mm with lateral lock

Technical Data

	Power [kW]	Connection	Max. Length of Shrink Fit Chuck [mm]	Dimensions [mm]	Weight [kg]	Tool Diameter [mm]
»powerShrink Nano«	13	3 x 400–480 volt, 16 ampere, 13 kVA	230	750 x 620 x 650	75	3 – 16
»powerShrink Economic«	13	3 x 400–480 volt, 16 ampere, 13 kVA	510	860 x 970 x 500	50	3 – 32
»powerShrink Economic Plus«	13	3 x 400–480 volt, 16 ampere, 13 kVA	510	860 x 970 x 650	70	3 – 32
»powerShrink Comfort«	13	3 x 400–480 volt, 16 ampere, 13 kVA	510	860 x 970 x 650	70	3 – 32
»powerShrink Profi Plus«	20	3 x 360–500 volt, 32 ampere, 20 kVA	550	860 x 970 x 650	85	3 – 50



ZOLLER-»toolSet«

The optimal supplement for »powerShrink«. »toolSet« allows you to heat shrink your tools quickly, easily and precisely in accordance with the nominal length.

- 1 | Acquisition unit
- 2 | Setting pins
- 3 | Measuring system
- 4 | Pin selection scale
- 5 | Insertion prism
- 6 | Setting pin for stop surface

Set for Easy Length Presetting

- _ Quick and easy presetting of the tool projection lengths
- _ Max. projection length: 150 mm
- _ Precision: ± 0.05 mm
- _ Suitable for all shrink fit chuck and devices (flame, hot air, contact, induction)
- _ Space saving
- _ Excellent price-performance ratio
- _ Upgradeable at any time
- _ Scope of delivery with 3 clamp screws (Ø 3 – 12, Ø 12 – 20, Ø 16 – 25 mm) Optional: Ø 25 – 32 mm



Easy Set

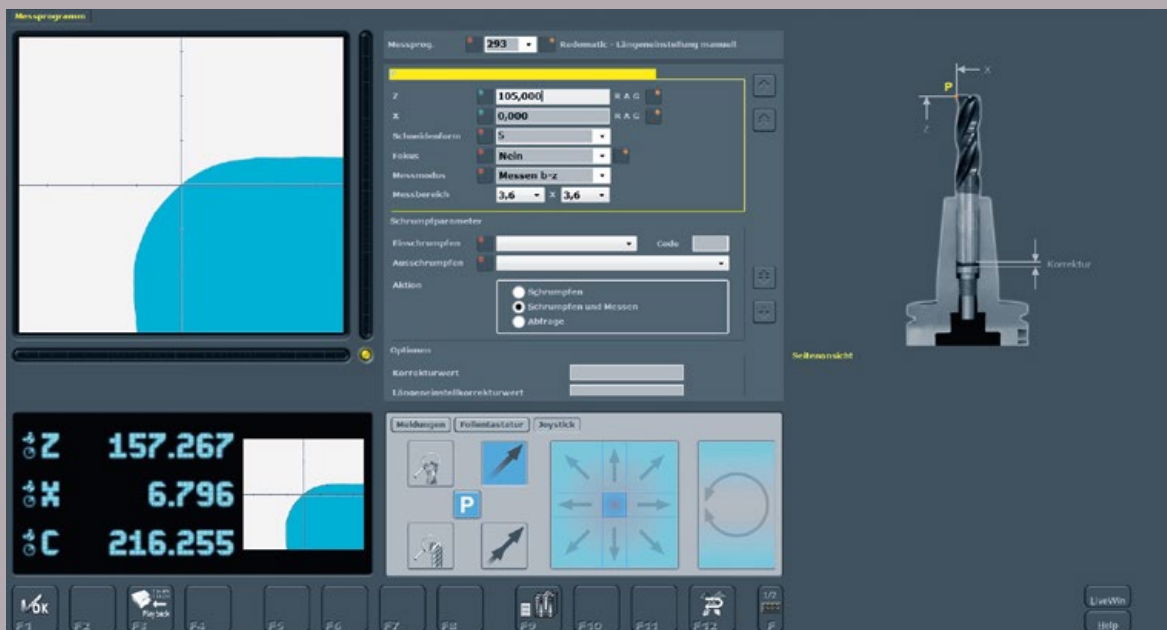


Clamp screws

The Right Program for Safe Shrink-clamping and Unclamping

With the 293 heat shrinking program from the »pilot« software, you can transfer heat shrinking parameters for tools from any ZOLLER presetting and measuring machine to the »powerShrink«.

This guarantees the error-free shrink-clamping and unclamping of standard tools that can be performed by any operator.



Input dialog for the 293 heat shrinking program in »pilot«.



01 Input of heat shrinking parameters and presetting the tool to the desired nominal length with the setting adapter.

02 Automatic transfer of heat shrink parameters to »powerShrink«



03 Heat shrinking the tool using the »powerShrink«, without manually selecting the parameters.



04 Tool can be re-measured and recorded, if needed.

ZOLLER

solutions

More speed, high quality, safer processes – ZOLLER system solutions allow you to achieve more from all aspects of production. To do so, we combine hardware, software and services for our customers to create optimal system solutions for presetting, measuring, inspection and management of tools. Everything from a single supplier. Everything for your success. Everything with ZOLLER solutions.

Outstanding service included: If you have any questions, please contact us at:
+49 7144 8970-137



ZOLLER Solutions

Presetting & Measuring
Inspection & Measuring
Tool Management
Automation
Service



E. Zoller GmbH & Co. KG | Presetting and measuring machines
Gottlieb-Daimler-Straße 19 | D-74385 Pleidelsheim
Tel: +49 7144 8970-0 | Fax: +49 7144 8060-807
post@zoller.info | www.zoller.info

ZOLLER
expect great measures®