

Hydraulic chucks

Hydraulic chucks HSK-A

Catalog no. 78299

Product information

- balancing quality: G6.3 / 15,000 rev./min
- axial length setting
- suitable for tools with internal cooling
- for tool shank tolerance h6

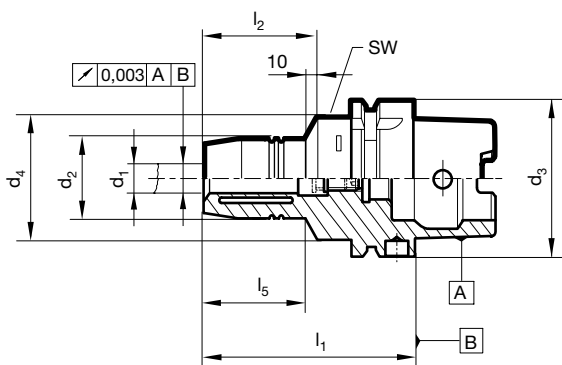
Scope of delivery

- incl. adjustment screw
- incl. hexagon chuck key
- order coolant delivery set separately

Standard **DIN 69882-7**

Shank **HSK-A**

Discount group **147**



HSK-A	for shank Ø d1	d2	d4	l1	l2	l5	SW	kg	Code no.
d3	mm	mm	mm	mm	mm	mm			
63	6.000	26.000	50.000	70.00	37.00	24.00	5.00	0.97	6.063
63	8.000	28.000	50.000	70.00	37.00	24.00	5.00	0.97	8.063
63	10.000	30.000	50.000	80.00	41.00	35.00	5.00	1.00	10.063
63	12.000	32.000	50.000	85.00	46.00	40.00	5.00	1.12	12.063
63	14.000	34.000	50.000	85.00	46.00	40.00	5.00	1.18	14.063
63	16.000	38.000	50.000	95.00	49.00	46.00	5.00	1.18	16.063
63	18.000	40.000	50.000	95.00	49.00	47.00	5.00	1.18	18.063
63	20.000	42.000	50.000	95.00	51.00	48.00	5.00	1.20	20.063
63	25.000	50.000	50.000	110.00	57.00	59.00	6.00	2.11	25.063
63	32.000	60.000	50.000	125.00	61.00	63.00	6.00	2.43	32.063
100	6.000	26.000	50.000	75.00	37.00	26.00	5.00	2.40	6.100
100	8.000	28.000	50.000	75.00	37.00	26.00	5.00	2.40	8.100
100	10.000	30.000	50.000	90.00	41.00	42.00	5.00	2.50	10.100
100	12.000	32.000	50.000	95.00	46.00	47.00	5.00	2.50	12.100
100	14.000	34.000	50.000	95.00	46.00	47.00	5.00	2.50	14.100
100	16.000	38.000	50.000	100.00	49.00	53.00	5.00	2.70	16.100
100	18.000	40.000	50.000	100.00	49.00	53.00	5.00	2.70	18.100
100	20.000	42.000	75.000	105.00	51.00	59.00	5.00	3.20	20.100
100	25.000	50.000	75.000	110.00	57.00	62.00	6.00	3.30	25.100
100	32.000	60.000	75.000	110.00	61.00	62.00	6.00	3.80	32.100